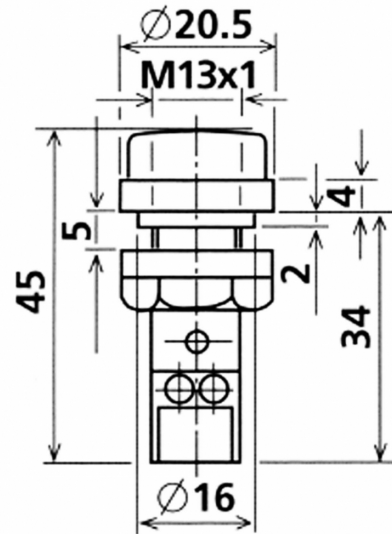


COMPACT SIGNALLING

07-3160-L7-028Z

LED pilot light 28-50V DC + black ring for Ø16mm blue

EAN: 07-3160-L7-028Z



Specifications

Built-in diameter	16mm
Colour	Blue
Colour lens	Blue
Connection	Touch-safe screw connection
Dimensions	Ø20,5mm x 45mm
Ingress protection	IP44
LEDs colour	Blue
Light patterns	Steady

Light source	LED
Material	Lens polycarbonate, housing PA6.6
Number of LEDs	1
Operating voltage	28-50V AC/DC
Rated current	28V AC/DC
Type	Signal lamps
Voltage type	DC
Weight	8g