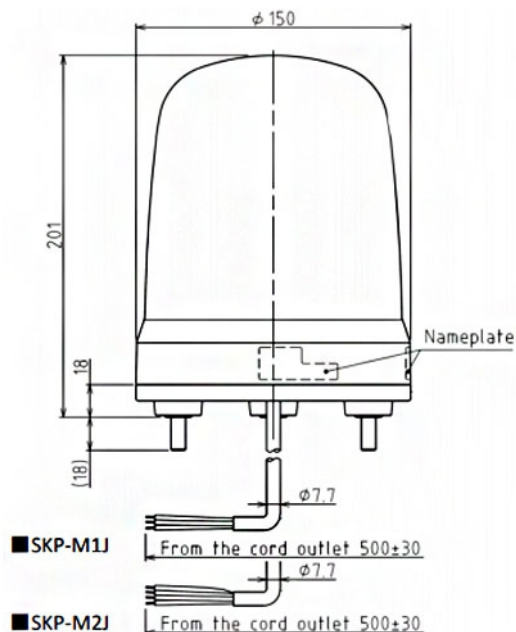


LED BEACONS

SKP-M2J-Y

LED rotation beacon, IP23, Ø150mm 100-240V AC, cable/yellow



Specifications

Brand	Patlite	Material	Polycarbonate
Buzzer	No	Mounting and connection type	3-screw mounting/cable
CE certificate	Yes	Operating temperature	-10°C to +50°C
Cable length	500mm	Operating voltage	90-250V AC
Certificates, quality marks, markings	CE, cULus, EAC, KC	Particularities	Rotates 120x/minute
Colour lens	Yellow	Rated current	100V AC 0,07A / 240V AC 0,04A
Dimensions	Ø150mm x 201mm	Rated voltage	100-240V AC (50/60Hz)
Impact resistance	4,5G	Relative humidity	Less than 90% (no condensation) at 20°C
Ingress protection	IP23	Type	Pre-configured
LED life	100 000h	UL certificate	Yes
Light patterns	Rotating	Voltage	115V AC / 230V AC
Luminous intensity	27 700cd	Weight	700g