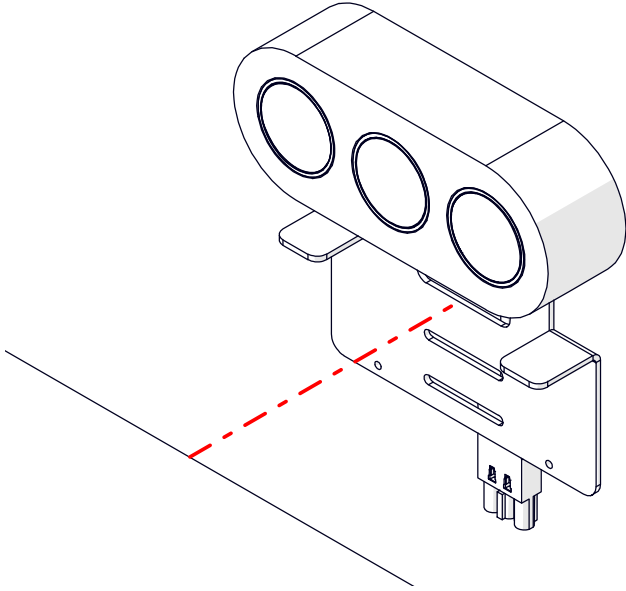
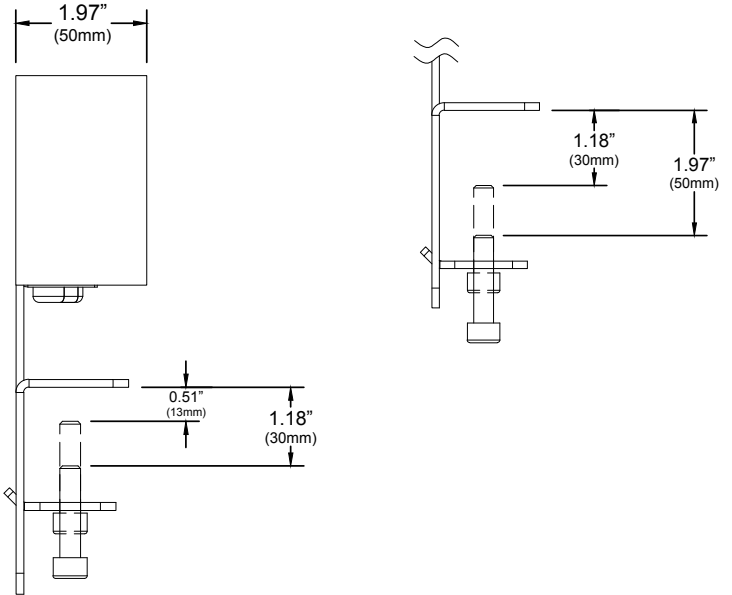


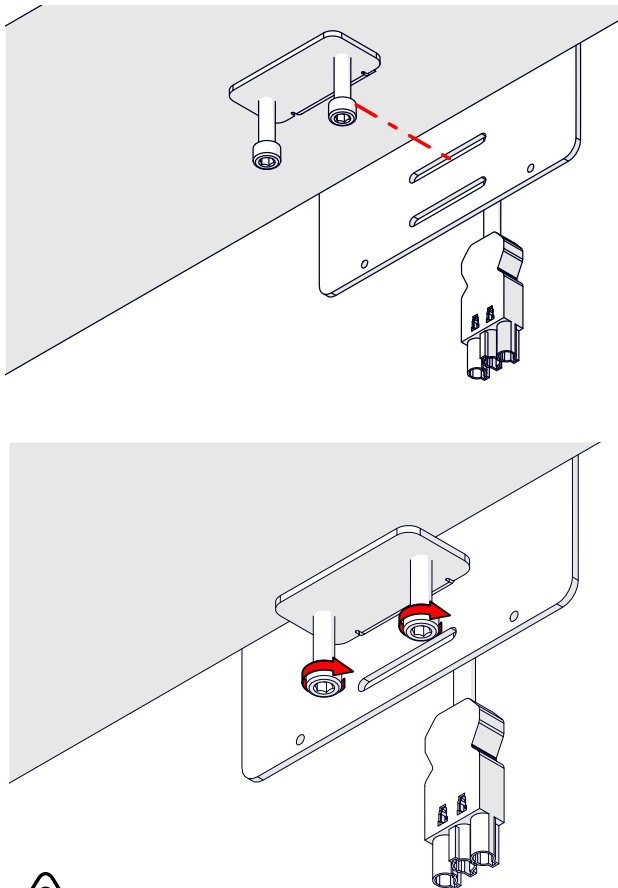
1 Align PLY to surface.



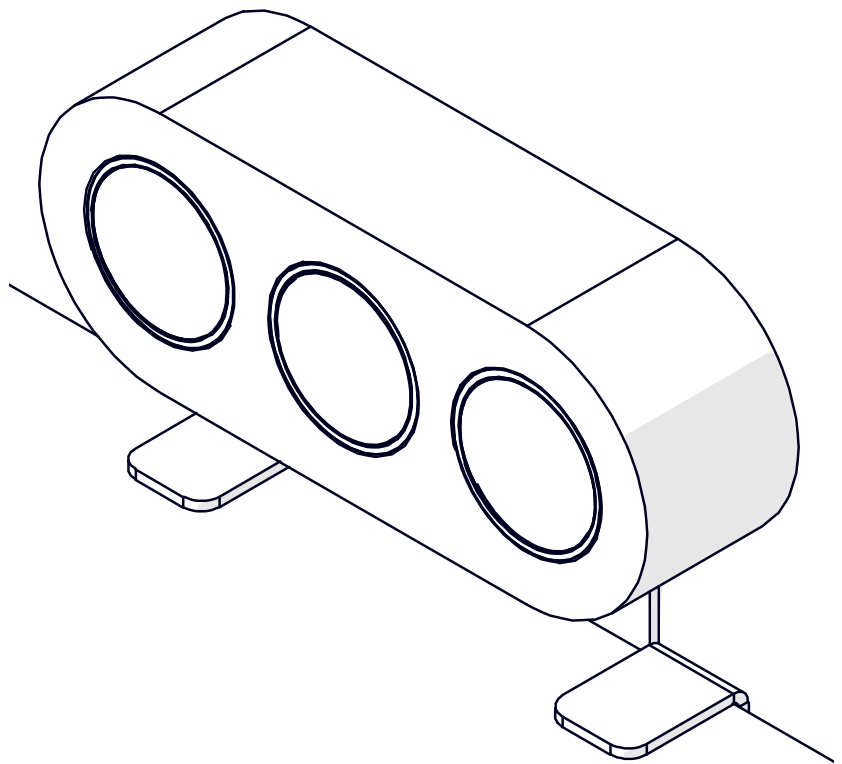
2 Determine where the bracket needs to be clamped.



3 Align the clamp and tighten using fixing bolts.



4



CAUTION Do not overtighten!