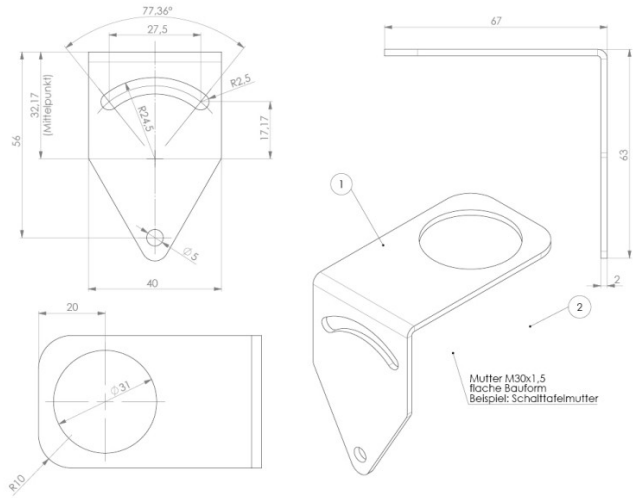


210200-30

Mounting bracket| Domeled | 1 piece



Specifications

Brand	LED2WORK	Model	Mounting bracket
Compatible product	Domeled 50/70/90	Packaging	1 piece
Dimensions	67mm x 63mm x 40mm	Type	Accessories LED lighting
Material	Stainless steel	Weight	150g