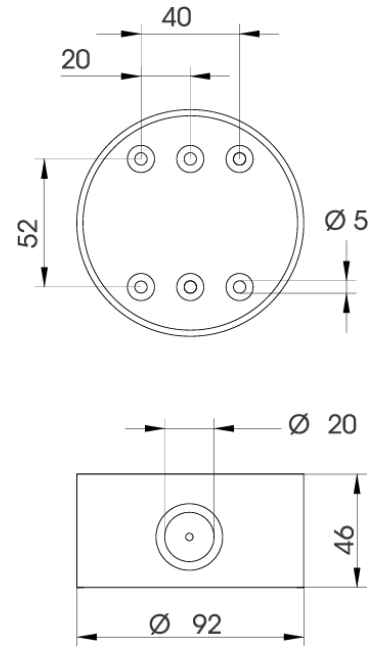


PB203

PIPS base tall 120-240V AC grey

EAN: 5414184701526



## Specifications

Brand	PIPS	Material	Polycarbonate
CE certificate	Yes	Mounting and connection type	Structure
Cable entry	Cable gland	Operating temperature	-30°C to +50°C
Certificates, quality marks, markings	CE, UL type 4X, EAC	Type	Base for PIPS module
Colour	RAL 7035 light grey	UL certificate	Yes
Dimensions	92mm x 46mm	Voltage	120V AC / 240V AC
Ingress protection	IP66	Weight	170g