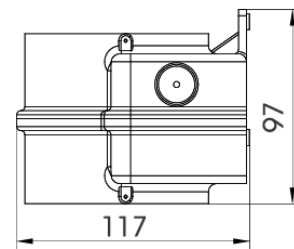
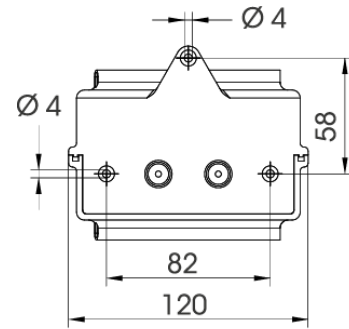


PB403

PIPS base double 120-240V AC grey

EAN: 5414184701922



Specifications

Brand	PIPS	Material	Polycarbonate
CE certificate	Yes	Mounting and connection type	Wall mount
Cable entry	Cable gland	Operating temperature	-40°C to +55°C
Certificates, quality marks, markings	CE, UL type 4X, EAC	Type	Base for PIPS module
Colour	RAL 7035 light grey	UL certificate	Yes
Dimensions	120mm x 117mm x 97mm	Voltage	120V AC / 240V AC
Ingress protection	IP66	Weight	350g