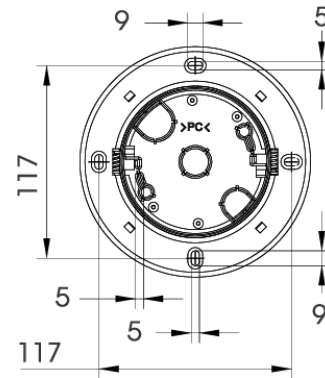
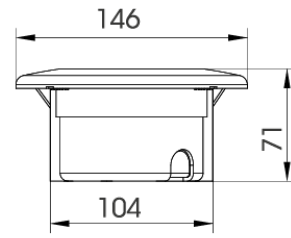


PB501

PIPS base flush mount 12-24V AC/DC white



## Specifications

Brand	PIPS
CE certificate	Yes
Certificates, quality marks, markings	CE
Colour	RAL 9003 white
Dimensions	Ø146mm x 71mm
Ingress protection	IP66

Material	Polycarbonate
Mounting and connection type	Built-in
Operating temperature	-40°C to +55°C
Type	Base for PIPS module
Voltage	12/24V AC/DC
Weight	220g