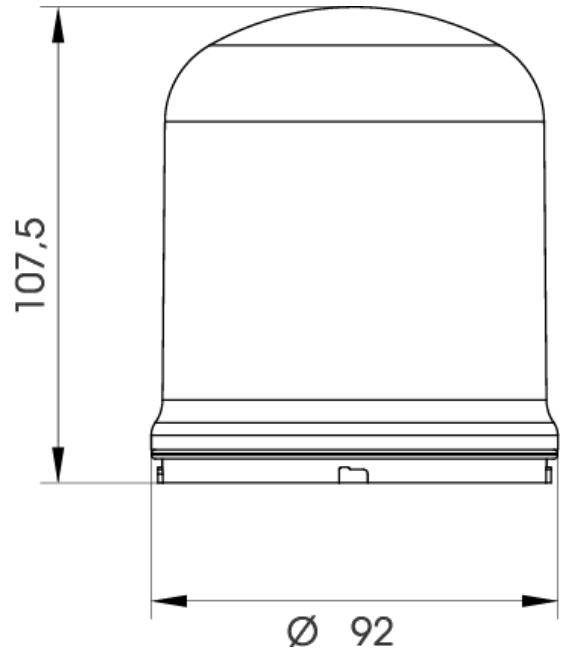


PL108

PIPS LED 100 clear / green

EAN: 5414184702332



Specifications

Brand	PIPS	Luminous intensity	55cd
CE certificate	Yes	Mounting and connection type	Mounting on a base
Certificates, quality marks, markings	CE, UL type 4X, EAC	Operating temperature	-30°C to +50°C
Colour lens	Clear	Particularities	Rotates ± 110 /minute and flashes $\pm 35 \times 3$ /minute
Dimensions	$\varnothing 92$ mm x 107,5mm	Rated current	12V AC/DC 510mA / 24V AC/DC 360mA / 40V AC/DC 300mA / 80V AC/DC 110mA / 120V AC 100mA / 240V AC 70mA
Ingress protection	IP66	Type	PIPS module
LED life	100 000h	UL certificate	Yes
LEDs colour	Green	Voltage	Depending on the base fitted
Light patterns	Steady, blinking and flashing	Weight	200g
Light source	LED		