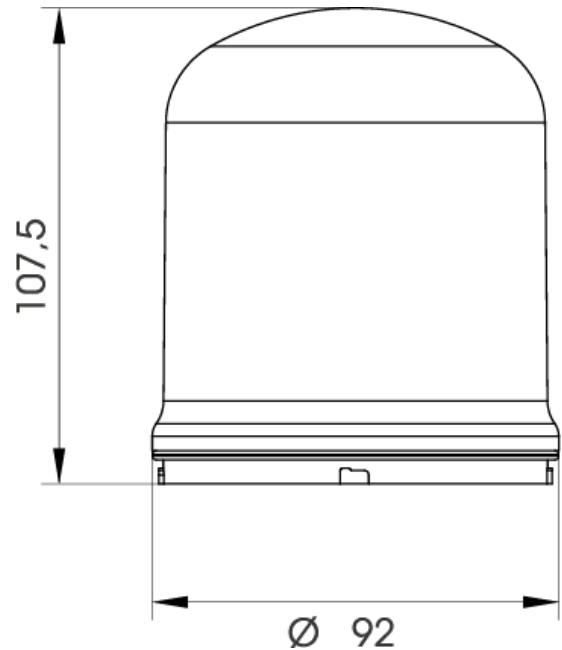


# LED BEACONS

PL209

PIPS module single flash/quintuple flash/random clear / blue



## Specifications

Brand	PIPS
CE certificate	Yes
Certificates, quality marks, markings	CE, UL type 4X, EAC
Colour lens	Clear
Dimensions	Ø92mm x 107,5mm
Ingress protection	IP66
LED life	100 000h
LEDs colour	Blue
Light patterns	Blinking
Light source	LED

Luminous intensity	400cd
Mounting and connection type	Mounting on a base
Operating temperature	-30°C to +50°C
Particularities	Blinks ± 110x1/minute, flashes ± 72x5/minute or in a random pattern
Rated current	12V AC/DC 450mA / 24V AC/DC 700mA / 40V AC/DC 800mA / 80V AC/DC 250mA / 120V AC 150mA / 240V AC 60mA
Type	PIPS module
UL certificate	Yes
Voltage	Depending on the base fitted
Weight	200g