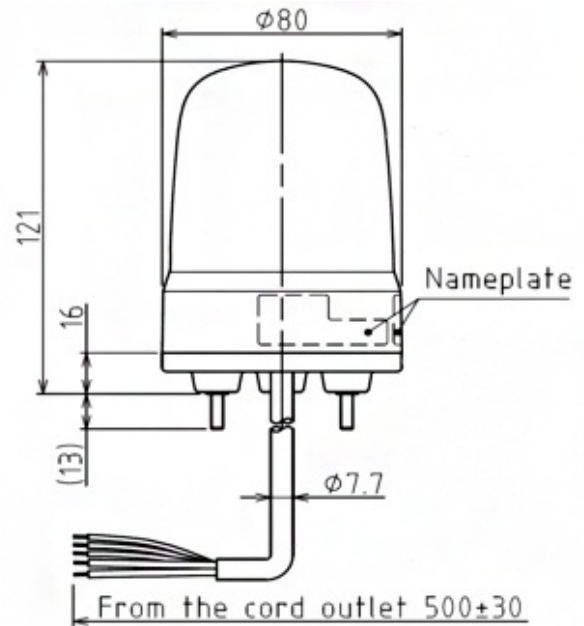


LED BEACONS

SF08-M1JN-R

Multi-function LED beacon, IP23, Ø80mm 12-24V DC, cable/red



Specifications

Brand	Patlite	Mounting and connection type	3-screw mounting/cable
CE certificate	Yes	Operating temperature	-20°C to +50°C
Cable length	500mm	Operating voltage	10-30V DC
Certificates, quality marks, markings	CE, cULus, EAC, KC	Particularities	Rotates 60x, 120x and 180x/minute or flashes 60x, 90x and 120x/minute or pulses 20x/minute
Colour lens	Red	Rated current	12V DC 0,64A / 24V DC 0,34A
Dimensions	Ø80mm x 121mm	Rated voltage	12-24V DC
Impact resistance	4,5G	Relative humidity	Less than 90% (no condensation) at 20°C
Ingress protection	IP23 / IP65 with rubber gasket	Type	Pre-configured
LED life	100 000h	UL certificate	Yes
Light patterns	Rotating	Voltage	12V DC / 24V DC
Luminous intensity	650cd	Weight	270g
Material	Polycarbonate		