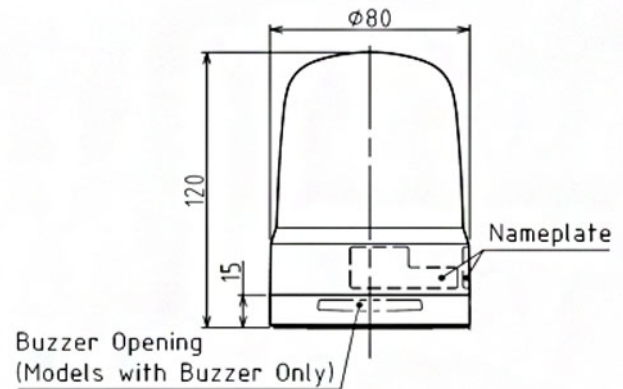


LED BEACONS

SF08-M2KTN-Y

Multifonction LED beacon, IP66, Ø80mm 100-240V AC, terminal block/yellow



Specifications

Brand	Patlite	Mounting and connection type	-30°C to +80°C
CE certificate	Yes	Operating temperature	-20°C to +50°C
Cable length	500mm	Operating voltage	90-250V AC
Certificates, quality marks, markings	CE, cULus, EAC, KC	Particularities	Rotates 60x, 120x and 180x/minute or flashes 60x, 90x and 120x/minute or pulses 20x/minute
Colour lens	Yellow	Rated current	100V AC 0,19A / 240V AC 0,08A
Dimensions	Ø80mm x 120mm	Rated voltage	100-240V AC (50/60Hz)
Impact resistance	4,5G	Relative humidity	Less than 90% (no condensation) at 20°C
Ingress protection	IP66	Type	Pre-configured
LED life	100 000h	UL certificate	Yes
Light patterns	Rotating	Voltage	115V AC / 230V AC
Luminous intensity	800cd	Weight	270g
Material	Polycarbonate		