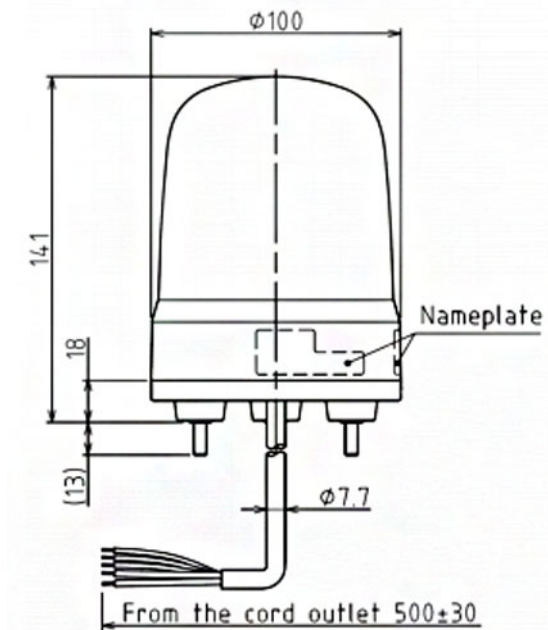


LED BEACONS

SF10-M1JN-G

Multi-function LED beacon, IP23, Ø100mm 12-24V DC, cable/green



Specifications

Brand	Patlite
CE certificate	Yes
Cable length	500mm
Certificates, quality marks, markings	CE, cULus, EAC, KC
Colour lens	Green
Dimensions	Ø100mm x 141mm
Impact resistance	4,5G
Ingress protection	IP23 / IP65 with rubber gasket
LED life	100 000h
Light patterns	Rotating
Luminous intensity	750cd

Material	Polycarbonate
Mounting and connection type	3-screw mounting/cable
Operating temperature	-20°C to +50°C
Operating voltage	10-30V DC
Particularities	Rotates 60x, 120x and 180x/minute or flashes 60x, 90x and 120x/minute or pulses 20x/minute
Rated current	12V DC 0,62A / 24V DC 0,32A
Rated voltage	12-24V DC
Relative humidity	Less than 90% (no condensation) at 20°C
UL certificate	Yes
Voltage	12V DC / 24V DC
Weight	400g