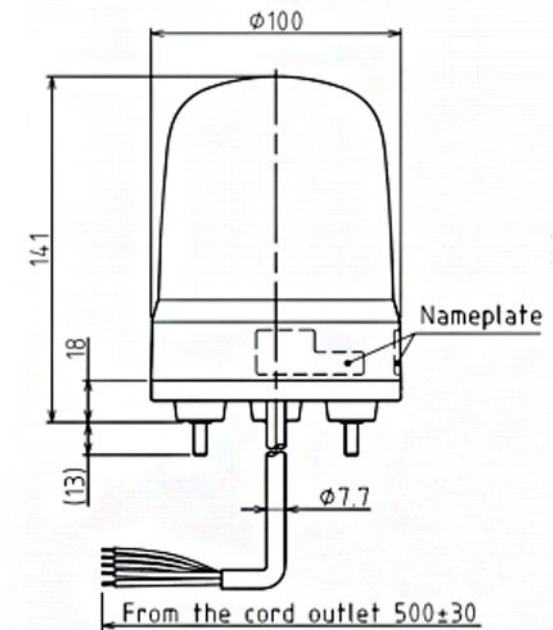


# LED BEACONS

SF10-M2JN-B

Multi-function LED beacon, IP23, Ø100mm 100-240V AC, cable/blue



## Specifications

Brand	Patlite
CE certificate	Yes
Cable length	500mm
Certificates, quality marks, markings	CE, cULus, EAC, KC
Colour lens	Blue
Dimensions	Ø100mm x 141mm
Impact resistance	4,5G
Ingress protection	IP23 / IP65 with rubber gasket
LED life	100 000h
Light patterns	Rotating
Luminous intensity	400cd

Material	Polycarbonate
Mounting and connection type	3-screw mounting/cable
Operating temperature	-20°C to +50°C
Operating voltage	90-250V AC
Particularities	Rotates 60x, 120x and 180x/minute or flashes 60x, 90x and 120x/minute or pulses 20x/minute
Rated current	100V AC 0,19A / 240V AC 0,08A
Rated voltage	100-240V AC (50/60Hz)
Relative humidity	Less than 90% (no condensation) at 20°C
UL certificate	Yes
Voltage	115V AC / 230V AC
Weight	430g