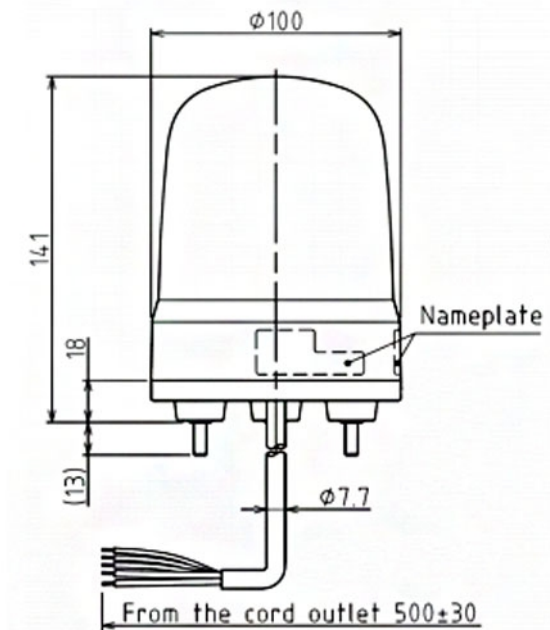


# LED BEACONS

SF10-M2JN-Y

Multi-function LED beacon, IP23, Ø100mm 100-240V AC, cable/yellow



## Specifications

Brand	Patlite	Material	Polycarbonate
CE certificate	Yes	Mounting and connection type	3-screw mounting/cable
Cable length	500mm	Operating temperature	-20°C to +50°C
Certificates, quality marks, markings	CE, cULus, EAC, KC	Operating voltage	90-250V AC
Colour lens	Yellow	Particularities	Rotates 60x, 120x and 180x/minute or flashes 60x, 90x and 120x/minute or pulses 20x/minute
Dimensions	Ø100mm x 141mm	Rated current	100V AC 0,19A / 240V AC 0,08A
Impact resistance	4,5G	Rated voltage	100-240V AC (50/60Hz)
Ingress protection	IP23 / IP65 with rubber gasket	Relative humidity	Less than 90% (no condensation) at 20°C
LED life	100 000h	UL certificate	Yes
Light patterns	Rotating	Voltage	115V AC / 230V AC
Luminous intensity	1100cd	Weight	430g