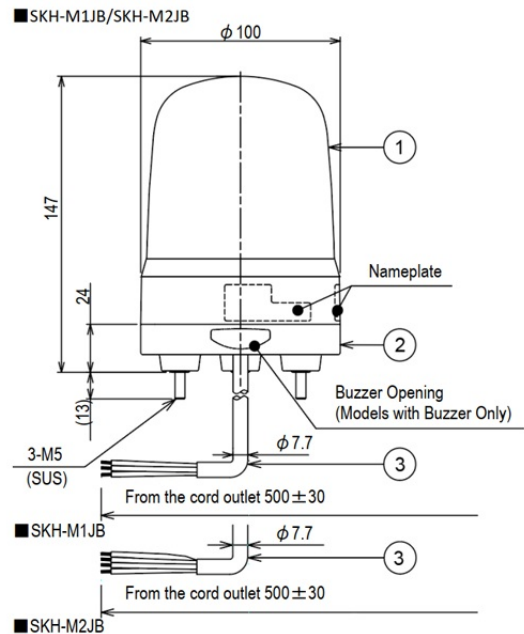


LED BEACONS

SKH-M1JB-Y

LED rotation beacon, IP23, Ø100mm 12-24V DC, cable/buzzer/yellow



Specifications

Brand	Patlite
Buzzer	Yes
CE certificate	Yes
Cable length	500mm
Certificates, quality marks, markings	CE, cULus, EAC, KC
Colour lens	Yellow
Dimensions	Ø100mm x 147mm
Impact resistance	4,5G
Ingress protection	IP23 / IP65 with rubber gasket
LED life	100 000h
Light patterns	Rotating
Luminous intensity	5500cd
Material	Polycarbonate
Mounting and connection type	3-screw mounting/cable

Operating temperature	-10°C to +50°C
Operating voltage	10-30V DC
Particularities	Rotates 120x/minute
Rated current	12V DC 0,23A / 24V DC 0,15A
Rated voltage	12-24V DC
Relative humidity	Less than 90% (no condensation) at 20°C
Sound level (max.)	88dB
Type	Pre-configured
UL certificate	Yes
Voltage	12V DC / 24V DC
Weight	340g