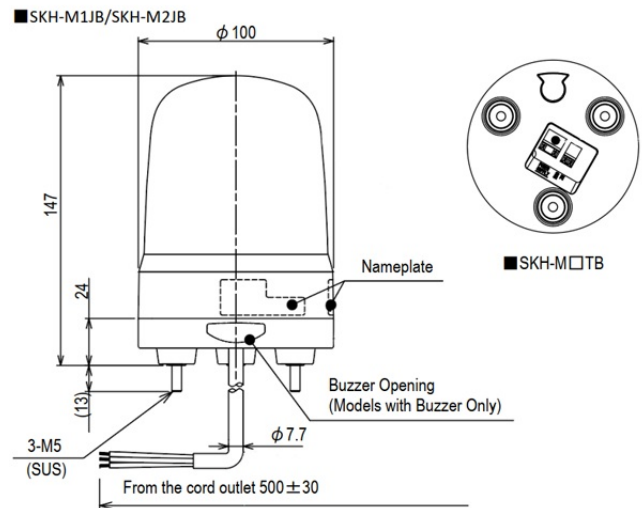


LED BEACONS

SKH-MITB-R

LED rotation beacon, IP66, Ø100mm 12-24V DC, terminal block/buzzer/red



Specifications

Brand	Patlite	Operating temperature	-10°C to +50°C
Buzzer	Yes	Operating voltage	10-30V DC
CE certificate	Yes	Particularities	Rotates 120x/minute
Cable length	500mm	Rated current	12V DC 0,23A / 24V DC 0,15A
Certificates, quality marks, markings	CE, cULus, EAC, KC	Rated voltage	12-24V DC
Colour lens	Red	Relative humidity	Less than 90% (no condensation) at 20°C
Dimensions	Ø100mm x 147mm	Sound level (max.)	88dB
Impact resistance	4,5G	Type	Pre-configured
Ingress protection	IP23 / IP65 with rubber gasket	UL certificate	Yes
LED life	100 000h	Voltage	12V DC / 24V DC
Light patterns	Rotating	Weight	310g
Luminous intensity	5500cd		
Material	Polycarbonate		
Mounting and connection type	3-screw mounting/terminal block		