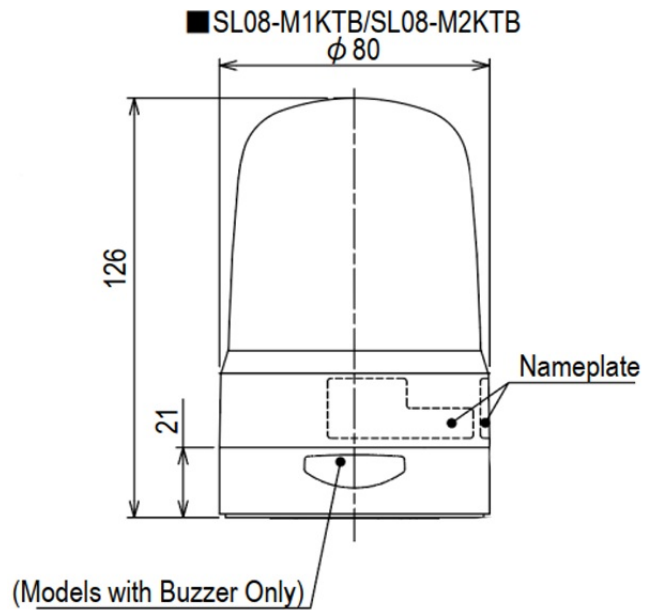


LED BEACONS

SL08-M1KTB-G

LED beacon | steady/flash | Ø80mm | 12-24V DC | terminal block | green



Specifications

Brand	Patlite
Buzzer	Yes
CE certificate	Yes
Cable length	500mm
Certificates, quality marks, markings	CE, cULus, EAC, KC
Colour lens	Green
Dimensions	Ø80mm x 126mm
Impact resistance	4,5G
Ingress protection	IP66
LED life	100 000h
Light patterns	Steady, blinking and flash
Luminous intensity	65cd
Material	Polycarbonate
Mounting and connection type	-30°C to +80°C

Operating temperature	-20°C to +50°C
Operating voltage	10-30V DC
Particularities	Blinks 180x/minute or flashes 120x/minute
Rated current	12V DC 0,24A / 24V DC 0,14A
Rated voltage	12-24V DC
Relative humidity	Less than 90% (no condensation) at 20°C
Sound level (max.)	86dB
Type	Pre-configured
UL certificate	Yes
Voltage	12V DC / 24V DC
Weight	240g