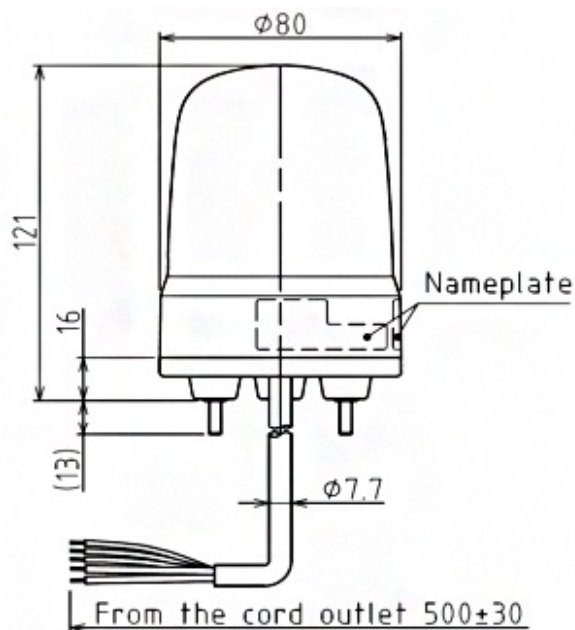


LED BEACONS

SL08-M2JN-G

LED beacon | steady/flash | Ø80mm | 100-240V AC
| cable | green



Specifications

Brand	Patlite	Mounting and connection type	3-screw mounting/cable
CE certificate	Yes	Operating temperature	-20°C to +50°C
Cable length	500mm	Operating voltage	90-250V AC
Certificates, quality marks, markings	CE, cULus, EAC, KC	Particularities	Blinks 180x/minute or flashes 120x/minute
Colour lens	Green	Rated current	100V AC 0,08A / 240V AC 0,04A
Dimensions	Ø80mm x 121mm	Rated voltage	100-240V AC (50/60Hz)
Impact resistance	4,5G	Relative humidity	Less than 90% (no condensation) at 20°C
Ingress protection	IP23 / IP65 with rubber gasket	Type	Pre-configured
LED life	100 000h	UL certificate	Yes
Light patterns	Steady, blinking and flash	Voltage	115V AC / 230V AC
Luminous intensity	65cd	Weight	280g
Material	Polycarbonate		