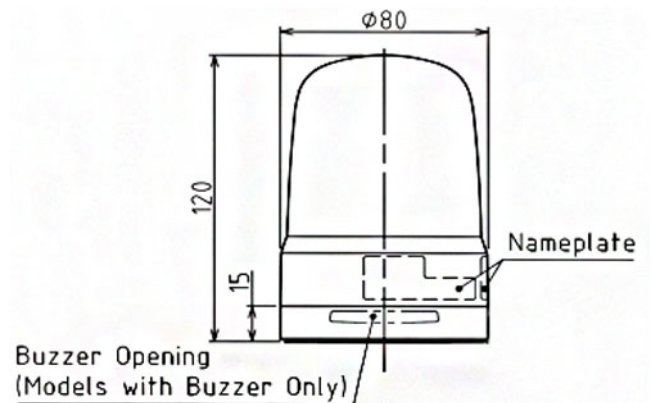


LED BEACONS

SL08-M2KTN-R

LED beacon | Ø80mm | 100-240V AC | terminal block | red



Specifications

Brand	Patlite	Material	Polycarbonate
Buzzer	No	Operating temperature	-20°C to +50°C
CE certificate	Yes	Operating voltage	90-250V AC
Cable length	500mm	Particularities	Blinks 180x/minute or flashes 120x/minute
Certificates, quality marks, markings	CE, cULus, EAC, KC	Rated current	100V AC 0,08A / 240V AC 0,04A
Colour lens	Red	Rated voltage	100-240V AC (50/60Hz)
Dimensions	Ø80mm x 120mm	Relative humidity	Less than 90% (no condensation) at 20°C
Impact resistance	4,5G	Type	Pre-configured
Ingress protection	IP66	UL certificate	Yes
LED life	100 000h	Voltage	115V AC / 230V AC
Light patterns	Steady, blinking and triple flash	Weight	260g
Luminous intensity	70cd		