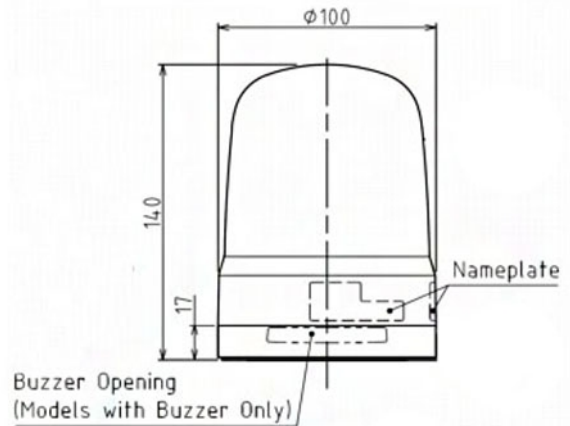


LED BEACONS

SL10-M2KTN-B

LED steady/flash beacon, IP66, Ø100mm 100-240V AC, terminal block/blue



Specifications

Brand	Patlite	Mounting and connection type	-30°C to +80°C
CE certificate	Yes	Operating temperature	-20°C to +50°C
Cable length	500mm	Operating voltage	90-250V AC
Certificates, quality marks, markings	CE, cULus, EAC, KC	Particularities	Blinks 180x/minute or flashes 120x/minute
Colour lens	Blue	Rated current	100V AC 0,08A / 240V AC 0,04A
Dimensions	Ø100mm x 140mm	Rated voltage	100-240V AC (50/60Hz)
Impact resistance	4,5G	Relative humidity	Less than 90% (no condensation) at 20°C
Ingress protection	IP66	Type	Pre-configured
LED life	100 000h	UL certificate	Yes
Light patterns	Steady, blinking and flash	Voltage	115V AC / 230V AC
Luminous intensity	45cd	Weight	380g
Material	Polycarbonate		