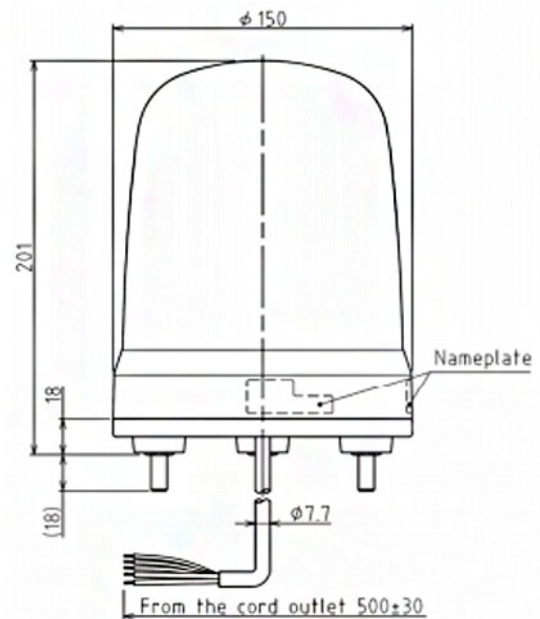


LED BEACONS

SL15-M1JN-R

LED steady/flash beacon, IP23, Ø150mm 12-24V DC, cable/red



Specifications

Brand	Patlite	Mounting and connection type	3-screw mounting/cable
CE certificate	Yes	Operating temperature	-20°C to +50°C
Cable length	500mm	Operating voltage	10-30V DC
Certificates, quality marks, markings	CE, cULus, EAC, KC	Particularities	Blinks 180x/minute or flashes 120x/minute
Colour lens	Red	Rated current	12V DC 0,40A / 24V DC 0,24A
Dimensions	Ø150mm x 201mm	Rated voltage	12-24V DC
Impact resistance	4,5G	Relative humidity	Less than 90% (no condensation) at 20°C
Ingress protection	IP23	Type	Pre-configured
LED life	100 000h	UL certificate	Yes
Light patterns	Steady, blinking and flash	Voltage	12V DC / 24V DC
Luminous intensity	185cd	Weight	860g
Material	Polycarbonate		