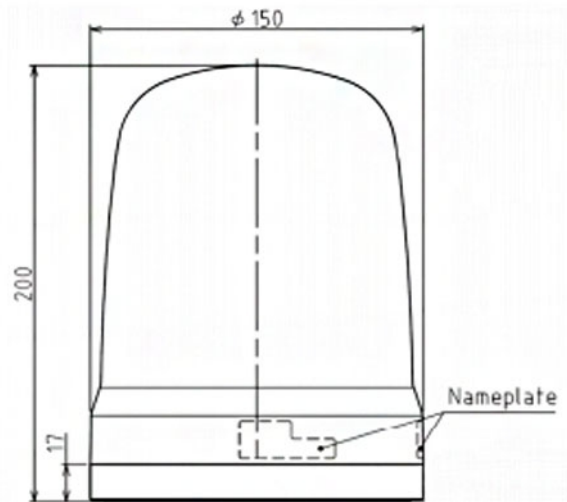


LED BEACONS

SL15-M1KTN-G

LED steady/flash beacon, IP66, Ø150mm 12-24V DC, terminal block/green



Specifications

Brand	Patlite	Mounting and connection type	3-point hole mounting/terminal block
CE certificate	Yes	Operating temperature	-20°C to +50°C
Cable length	500mm	Operating voltage	10-30V DC
Certificates, quality marks, markings	CE, cULus, EAC, KC	Particularities	Blinks 180x/minute or flashes 120x/minute
Colour lens	Green	Rated current	12V DC 0,40A / 24V DC 0,24A
Dimensions	Ø150mm x 201mm	Rated voltage	12-24V DC
Impact resistance	4,5G	Relative humidity	Less than 90% (no condensation) at 20°C
Ingress protection	IP66	Type	Pre-configured
LED life	100 000h	UL certificate	Yes
Light patterns	Steady, blinking and flash	Voltage	12V DC / 24V DC
Luminous intensity	180cd	Weight	860g
Material	Polycarbonate		