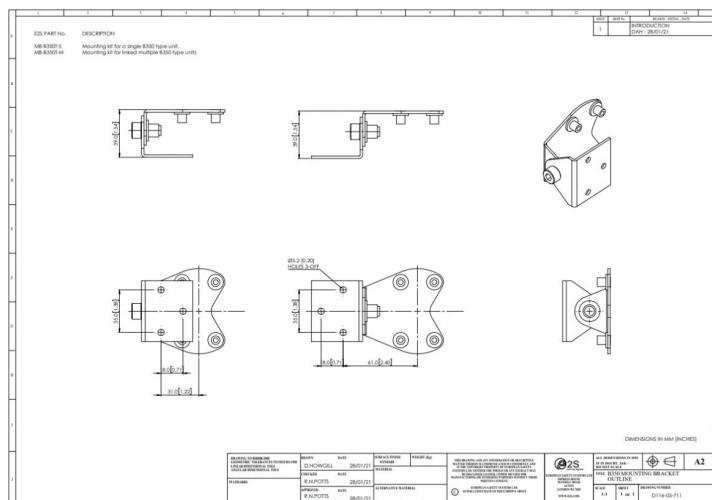


# TRAFFIC LIGHTS

MB-B350T-S

Bracket for B350



## Specifications

Brand	E2S
Colour	Black
Connection	Screw terminal
Material	Steel

Mounting type	Wall mounting
Type	Bracket for E2S
Weight	250g