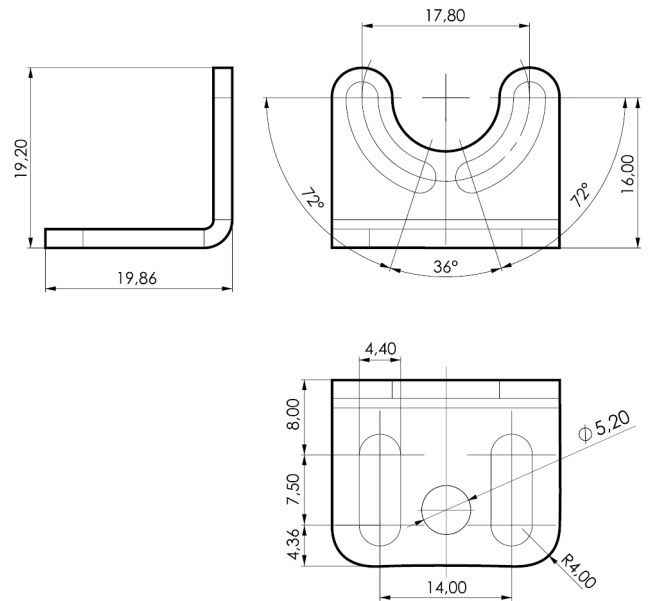


210200-24

Mounting bracket magnetic 60° | Tubeled 25 | set of 2

EAN: 4260556626086



Specifications

Brand	LED2WORK
Compatible product	TUBELED 25
Contents of the box	4 screws included
Dimensions	32mm x 25mm x 25mm
Material	Stainless steel
Model	Magnetic mounting bracket

Packaging	1 pair
Type	Accessories LED lighting
Weight	100g