

210700-05

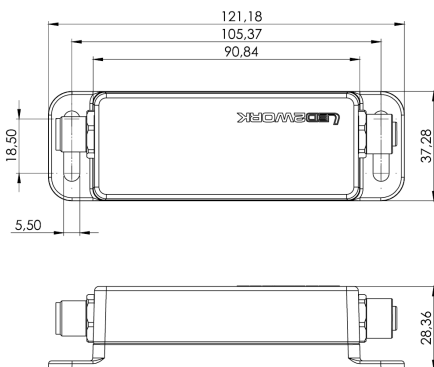
PWM externe dimmer

EAN: 4260556625409



Specificaties

Aansluiting	M12 (A-code) 5-pin	Nominale spanning	24V DC
Afmetingen	122mm x 33mm x 29mm	Nominale stroom	4000mA
Compatibel product	Witte LEDs	Regelaar	Extern
Gewicht	100g	Type	Externe PWM dimmer
IP-aanduiding	IP54	Verpakking	1 stuk
Merk	LED2WORK		



PWM Dimmer via 5-polige M12 stekker PIN 3 = GND				
Lichtintensiteit	PIN 1	PIN 2	PIN 4	PIN 5
100%	24VDC	1	0	0
90%	24VDC	0	0	1
75%	24VDC	0	1	0
66%	24VDC	0	0	0
50%	24VDC	0	1	1
33%	24VDC	1	0	1
25%	24VDC	1	1	0
10%	24VDC	1	1	1
OFF	N.C. of GND	0	0	0

