

# MV121 Appello X

**The MV121 Appello X is the next generation of user recordable alarm sounder capable of storing up to 2 minutes of content.**

The MV121 records, stores and plays back with unsurpassed clarity, user defined voice messages, music or sounds stored directly to non-volatile memory. Low current consumption and CD quality reproduction in a robust fire retardant Type 4/4X/3R/13, IP66/67 housing ensure the MV121 Appello X is suitable for all general signalling applications including fire, security and process control.

## Features

The MV121 Appello user recordable unit enables the recording of any type of content such as voice or music that can be played back at CD quality output at SPL's of up to 112dB(A) at 1 metre. This content can be reproduced repeatedly, alternating with or without one of the built-in 45 alarm tones. The alarm tone notification has an output of up to 126dB(A) at 1 metre.

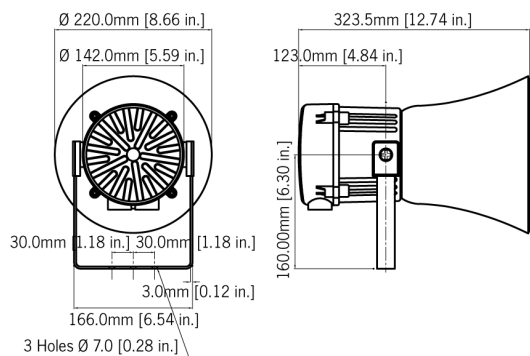
For multiple unit installations the recording process is only required once to create a master unit which can then be used to program all other MV121 units on the system, guaranteeing synchronisation during playback, using the supplied 'Synch' cable.

- Direct content storage on non-volatile memory.
- CD quality reproduction.
- Message length: 4 × 30 seconds
- Easy message creation with built in microphone or line-in audio input.
- Volume controls for user content and alarm tones.
- Available with custom tone configurations and frequencies.
- Factory programming of user supplied content also available.
- UL approved for general signalling use.

## Approvals

- UL & cULs approved: General signalling use
- EAC approved (GOST-R)





## Specification

|                       |                                                                          |
|-----------------------|--------------------------------------------------------------------------|
| Voice content output: | 111dB(A) @ 1 metre [102dB(A) @ 10ft/3m]                                  |
| Music content output: | 112dB(A) @ 1 metre [103dB(A) @ 10ft/3m]                                  |
| Alarm tone output:    | 126dB(A) @ 1 metre [117dB(A) @ 10ft/3m]                                  |
| No. of alarm tones:   | 45 (UKOOA/PFEER compliant)                                               |
| No. of messages:      | 4 (30 seconds each)                                                      |
| Volume controls:      | Independent controls for user recorded content and built-in alarm tones. |
| Effective range:      | 300m/984ft @ 1KHz                                                        |
| Voltages DC:          | 24vdc (14-30vdc)                                                         |
| Voltages AC:          | 90-260vac 50/60Hz                                                        |
| Ingress protection:   | Type 4 / 4X / 3R / 13, IP66/67                                           |
| Rating:               | Continuous                                                               |
| Enclosure material:   | UL94V0 & 5VA FR ABS                                                      |
| Enclosure colour:     | RAL7038 Grey                                                             |
| Fixings:              | Stainless Steel                                                          |
| Cable entries:        | 2 x M20 threaded gland entries.                                          |
| Terminals:            | 0.5 to 2.5mm <sup>2</sup>                                                |
| Operating temp:       | -25° to +55°C [-13° to +131°F]                                           |
| Storage temp:         | -40° to +70°C [-40° to +158°F]                                           |
| Relative humidity:    | 90% at 20°C [68°F]                                                       |
| Weight:               | DC: 2.10kg/4.62lbs AC: 2.70kg/5.94lbs                                    |

## Part Codes

| Version:   | Part code:     |
|------------|----------------|
| 14-30V dc  | MV121DC024G-UL |
| 90-260V ac | MV121AC230G-UL |

## Current Consumption

| Version: | Voltage:           | Current : |
|----------|--------------------|-----------|
| 24V dc   | 14-30V dc          | 1.51A*    |
| 230V ac  | 90-260V ac 50/60Hz | 517mA*    |

\* current at nominal voltage on Tone 1

## Tone table

### S 1 Description

|      |                                                 |
|------|-------------------------------------------------|
| T 1  | 340 Hz Continuous                               |
| T 2  | 800/1000Hz @ 0.25 sec Alternating               |
| T 3  | 500/1200Hz @ 0.3Hz 0.5 sec Slow Whoop           |
| T 4  | 800/1000Hz @ 1Hz Sweeping                       |
| T 5  | 2400Hz Continuous                               |
| T 6  | 2400/2900Hz @ 7Hz Sweeping                      |
| T 7  | 2400/2900Hz @ 1Hz Sweeping                      |
| T 8  | 500/1200/500Hz @ 0.3Hz Sweeping                 |
| T 9  | 1200/500Hz @ 1Hz - DIN / PFEER P.T.A.P.         |
| T 10 | 2400/2900Hz @ 2Hz Alternating                   |
| T 11 | 1000Hz @ 1Hz Intermittent                       |
| T 12 | 800/1000Hz @ 0.875Hz Alternating                |
| T 13 | 2400Hz @ 1Hz Intermittent                       |
| T 14 | 800Hz 0.25sec on, 1 sec off Intermittent        |
| T 15 | 800Hz Continuous                                |
| T 16 | 660Hz 150mS on, 150mS off Intermittent          |
| T 17 | 544Hz (100mS)/440Hz (400mS) - NF S 32-001       |
| T 18 | 660Hz 1.8sec on, 1.8sec off Intermittent        |
| T 19 | 1.4KHz-1.6KHz 1s, 1.6KHz-1.4KHz 0.5s -NFC48-265 |
| T 20 | 660Hz Continuous                                |
| T 21 | 554Hz/440Hz @ 1Hz Alternating                   |
| T 22 | 544Hz @ 0.875 sec. Intermittent                 |
| T 23 | 800Hz @ 2Hz Intermittent                        |
| T 24 | 800/1000Hz @ 50Hz Sweeping                      |
| T 25 | 2400/2900Hz @ 50Hz Sweeping                     |
| T 26 | Bell                                            |
| T 27 | 554Hz Continuous                                |
| T 28 | 440Hz Continuous                                |
| T 29 | 800/1000Hz @ 7Hz Sweeping                       |
| T 30 | 300Hz Continuous                                |
| T 31 | 660/1200Hz @ 1Hz Sweeping                       |
| T 32 | Two T chime.                                    |

### S 1 Description

|      |                                                  |
|------|--------------------------------------------------|
| T 33 | 745Hz @ 1Hz Intermittent                         |
| T 34 | 1000 & 2000Hz @ 0.5 sec Alternating - Singapore  |
| T 35 | 420Hz @ 0.625 sec Australian Alert               |
| T 36 | 500-1200Hz 3.75sec /0.25sec. Australian Evac.    |
| T 37 | 1000Hz Continuous - PFEER Toxic Gas              |
| T 38 | 2000Hz Continuous                                |
| T 39 | 800Hz 0.25sec on, 1 sec off Intermittent         |
| T 40 | 544Hz (100mS)/440Hz (400mS) - NF S 32-001        |
| T 41 | Motor Siren - slow rise to 1200 Hz               |
| T 42 | Motor Siren - slow rise to 800 Hz                |
| T 43 | 1200 Hz Continuous                               |
| T 44 | Motor Siren - slow rise to 2400 Hz               |
| T 45 | 1KHz 1s on, 1s off Intermittent - PFEER Gen. ... |